

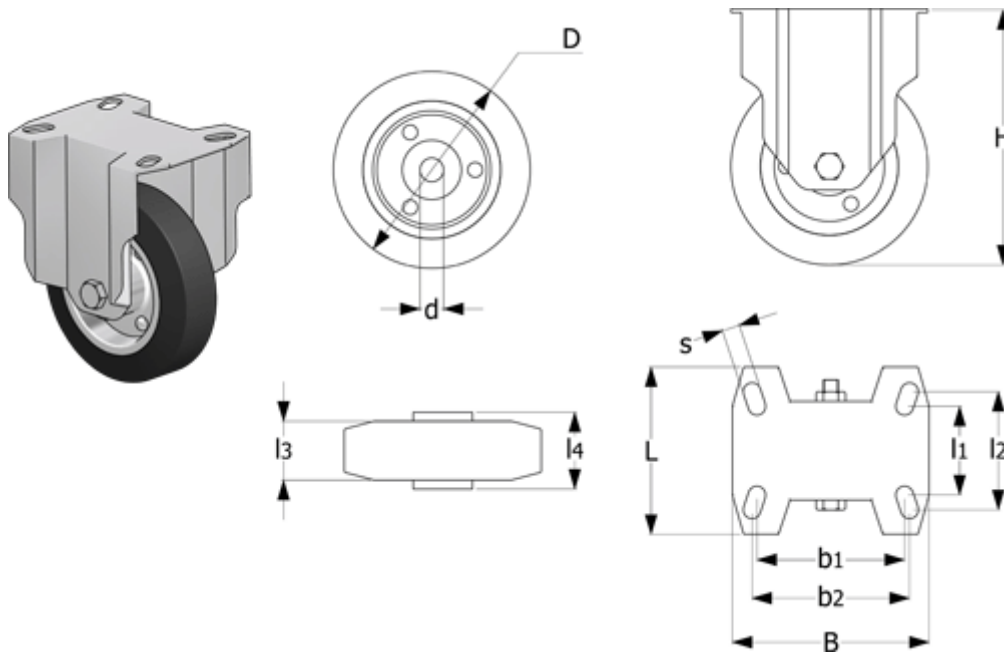
Data Sheet



Article number: 2314450156

Description: E+G rubber wheel 450156
RE.E3-100-PBL-N Fixed plate

Measures



B	= 100	H	= 128	Type = RE.E3-100-PBL
b1	= 75	L	= 85	
b2	= 80	l1	= 45	
Code	= 450156	l2	= 60	
D	= 100	l3	= 30	
d	= 12	l4	= 44	
Dynamic load (N)	= 800	Rolling resistance (N)	= 750	
g	= 620	s	= 9	